

COMPANY

PART NUMBER

DESCRIPTION

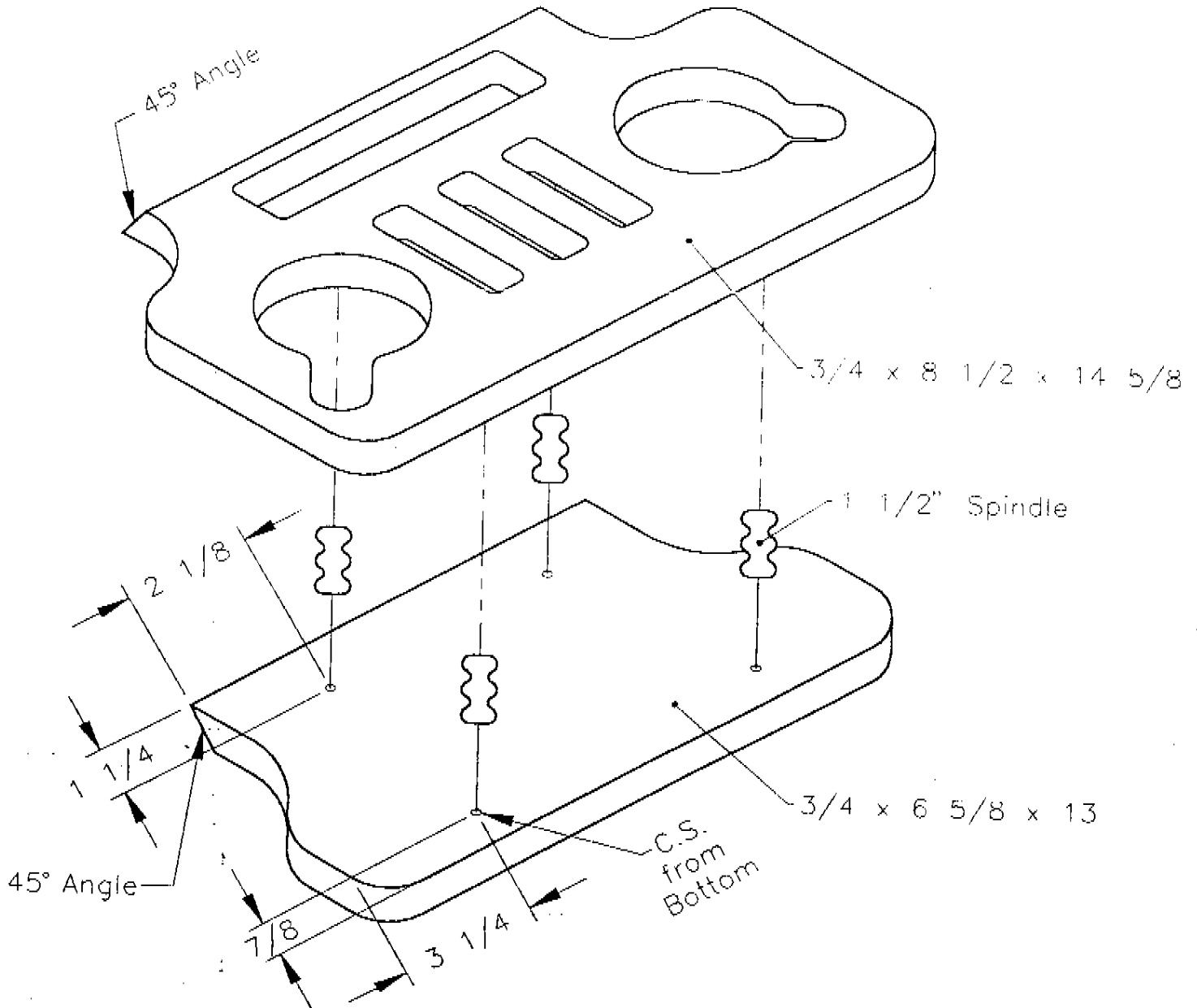
2183

'91 and prior GM Tray

DRAWING

DATE: 7/23/97

DRAWN BY: JK



QTY.	T x W x L	QTY.	MATERIAL LIST T x W x L	QTY.	T x W x L
1	3/4 x 8 1/2 x 14 5/8		Rout w/45° Rip		
1	3/4 x 6 5/8 x 13		w/45° Rip		
4	1 1/2" Spindle				

COMPANY

PART NUMBER

DESCRIPTION

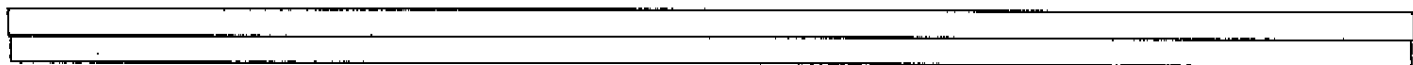
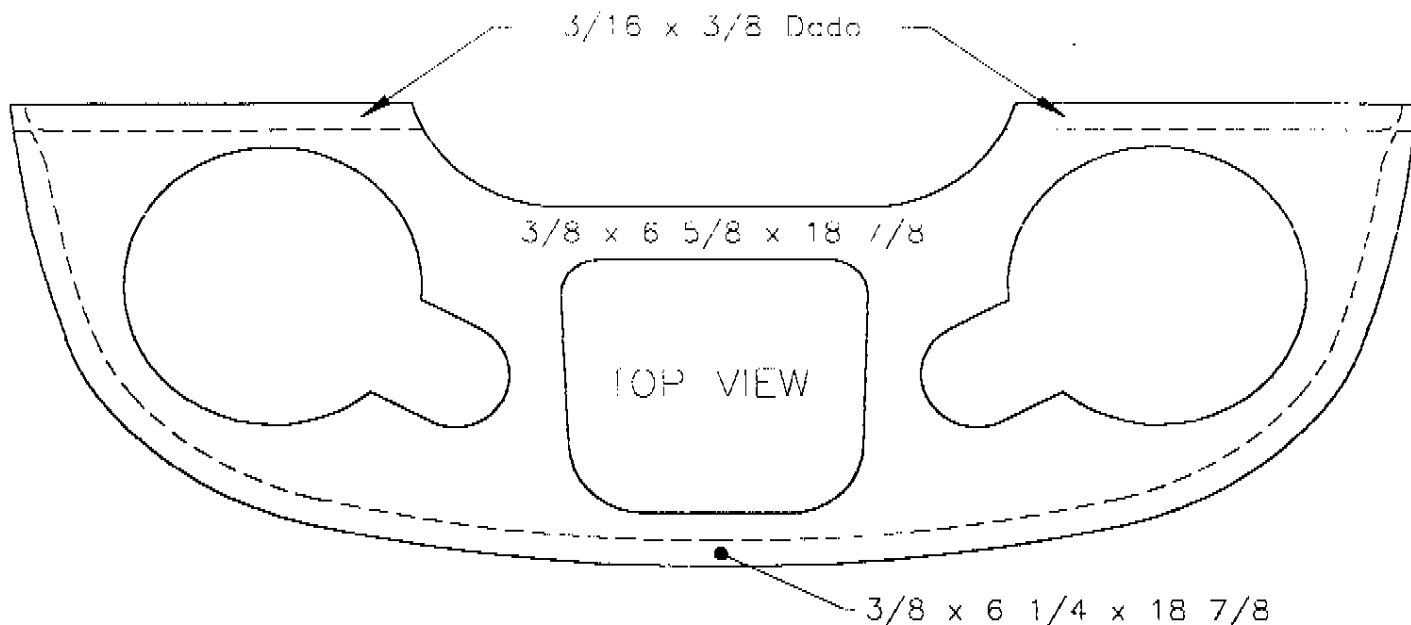
2187

Chevy Engine Cover Drink Tray

DRAWING

DATE: 4/17/97

DRAWN BY: JK



SIDE VIEW

QTY.

TXWXL

QTY.

MATERIAL LIST

TXWXL

QTY.

TXWXL

QTY.	TXWXL	QTY.	MATERIAL LIST TXWXL	QTY.	TXWXL
1	3/8 x 6 5/8 x 18 7/8				
1	3/8 x 6 1/4 x 18 7/8				

COMPANY

PART NUMBER

DESCRIPTION

2185

Astro Drink Tray

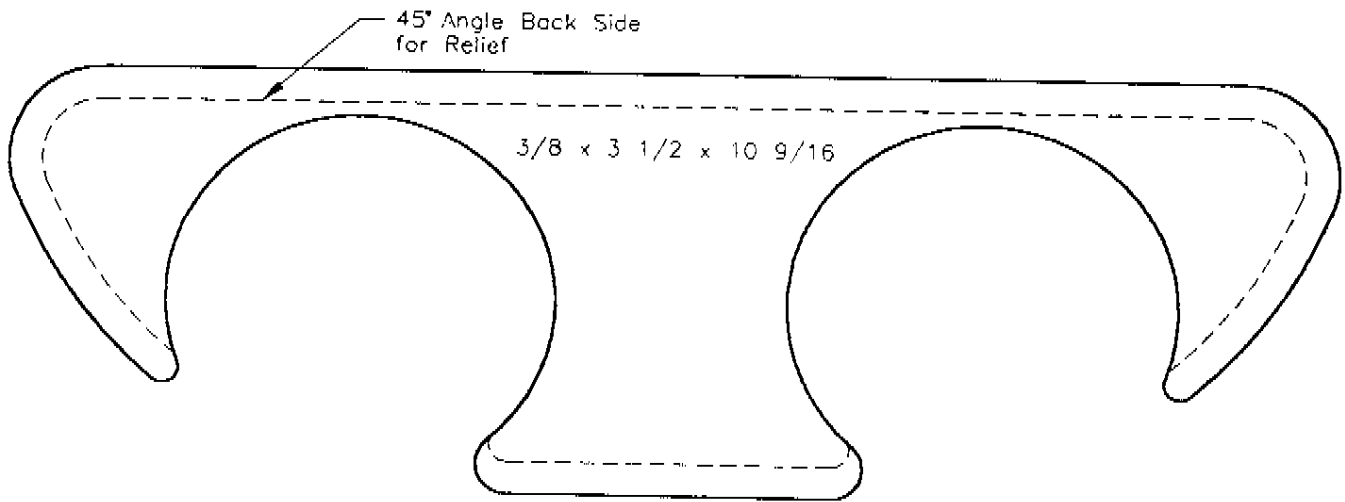
DATE:

2/10/98

DRAWING

DRAWN BY:

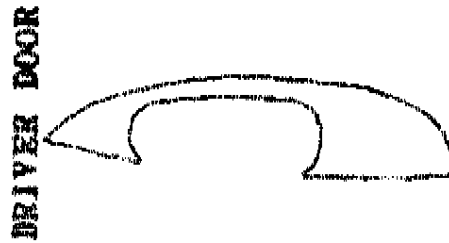
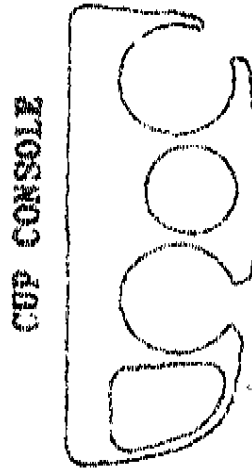
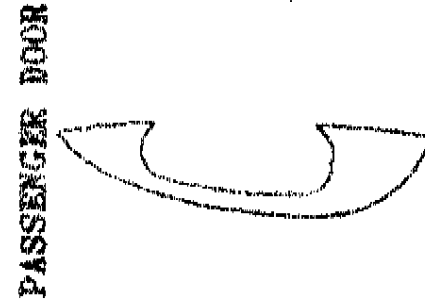
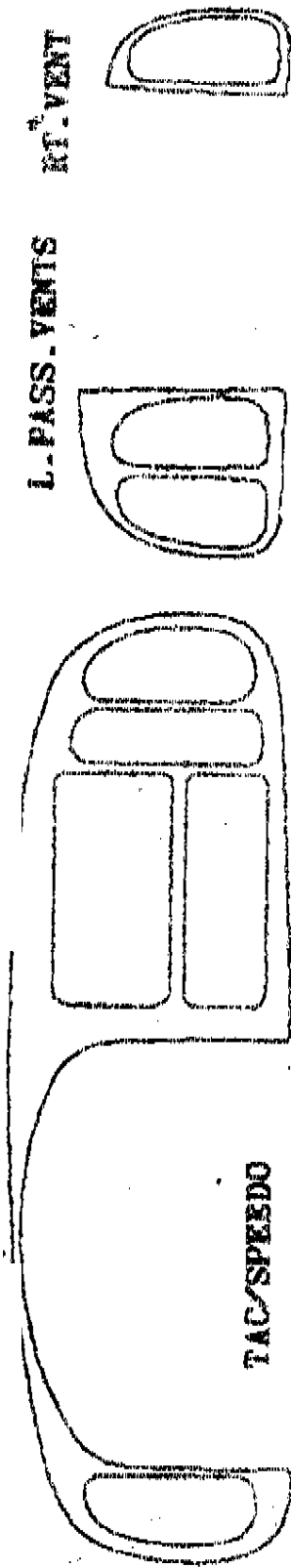
JK



MATERIAL LIST

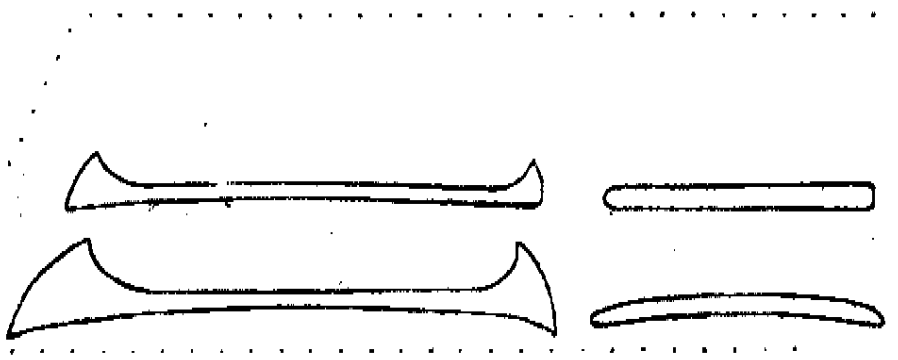
QTY.	T X W X L	QTY.	T X W X L	QTY.	T X W X L
1	$3/8 \times 3 \frac{1}{2} \times 10 \frac{9}{16}$ (Lazer Part)				

2000-2002 DODGE VAN

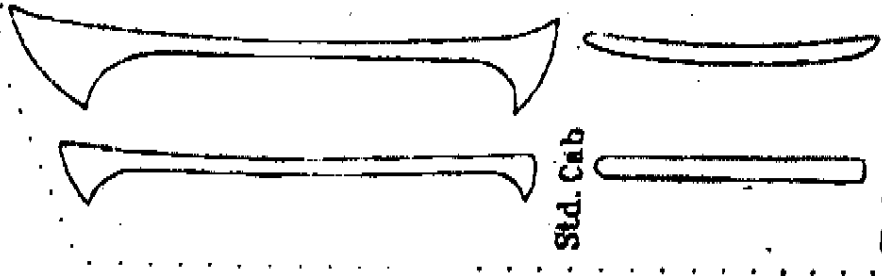


01 DODGE RAM

OPTIONAL DOOR ACCENT



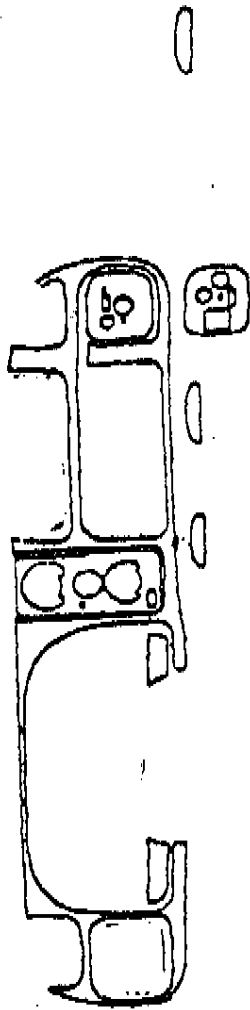
OPTIONAL DOOR ACCENT



Std. Cab

Club Cab Quad Cab

DI DODGE RAM



OR



COMPANY

PART NUMBER

DESCRIPTION

EAST COAST AUTO COAST

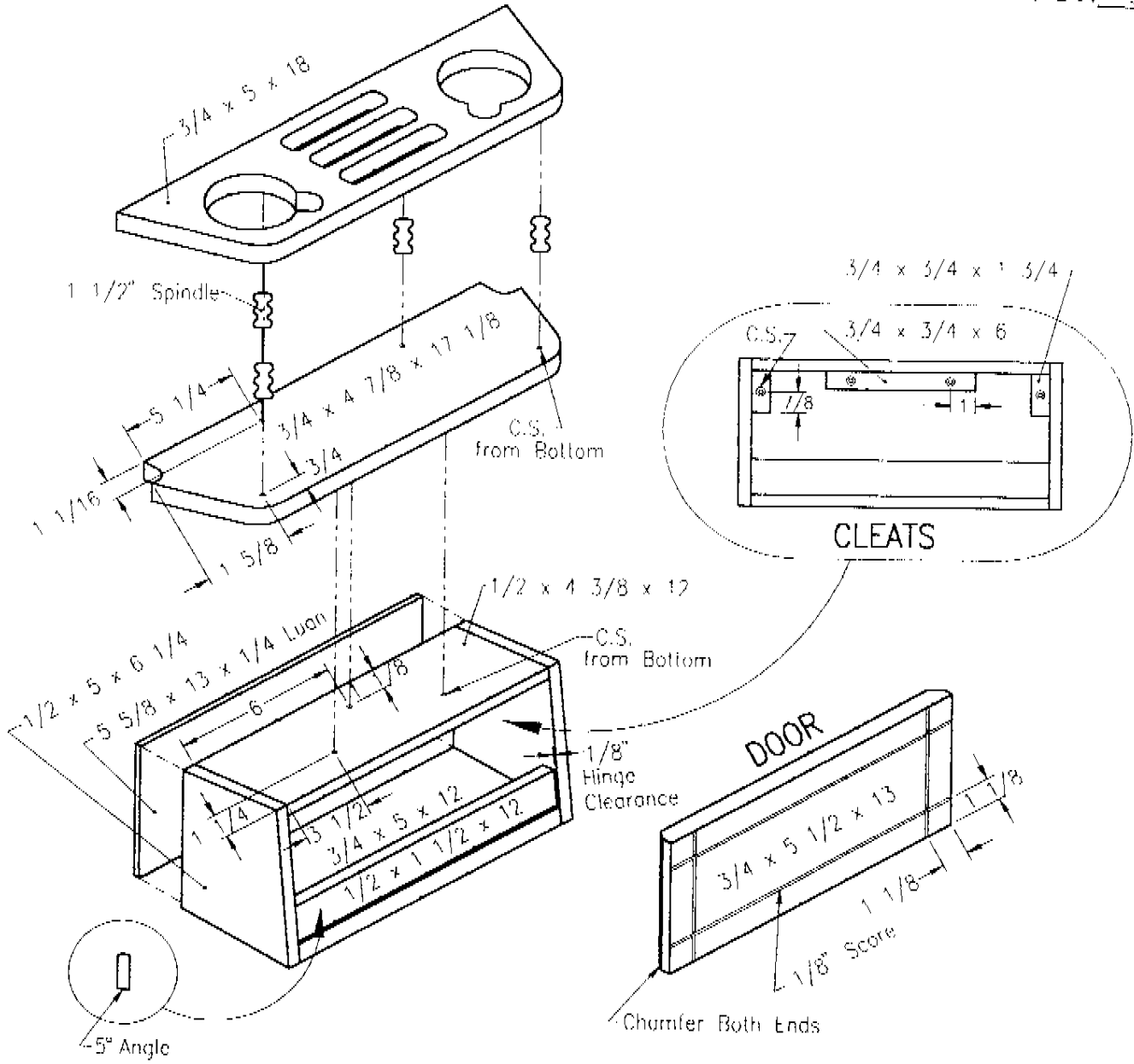
2176

'92 Ford Tray With Compartment

DRAWING

DATE: 6/12/77

DRAWN BY: JK



QTY.	(Top)	T x W x L	QTY.	MATERIAL LIST (Bottom)	T x W x L	QTY.	T x W x L
1		3/4 x 5 x 18 Rout	1	3/4 x 5 1/2 x 13 w/ 1/8" Score	1	5 3/8 x 13 x 1/4" Luan	
1		3/4 x 4 7/8 x 17 1/8 Rout	1	3/4 x 5 x 12 w/ 5° Rip	1	3/4 x 3/4 x 6 Cleat	
4		1 1/2" Spindle	1	1/2 x 4 3/8 x 12 w/ 6° Rip	2	3/4 x 3/4 x 1 3/4 Cleat	
			2	1/2 x 5 x 6 1/4			
			1	1/2 x 1 1/2 x 12 w/ 5° Rip			

91 AND PRIOR FORD DRINK TRAY W/ COMPARTMENT

COMPANY

PART NUMBER

DESCRIPTION

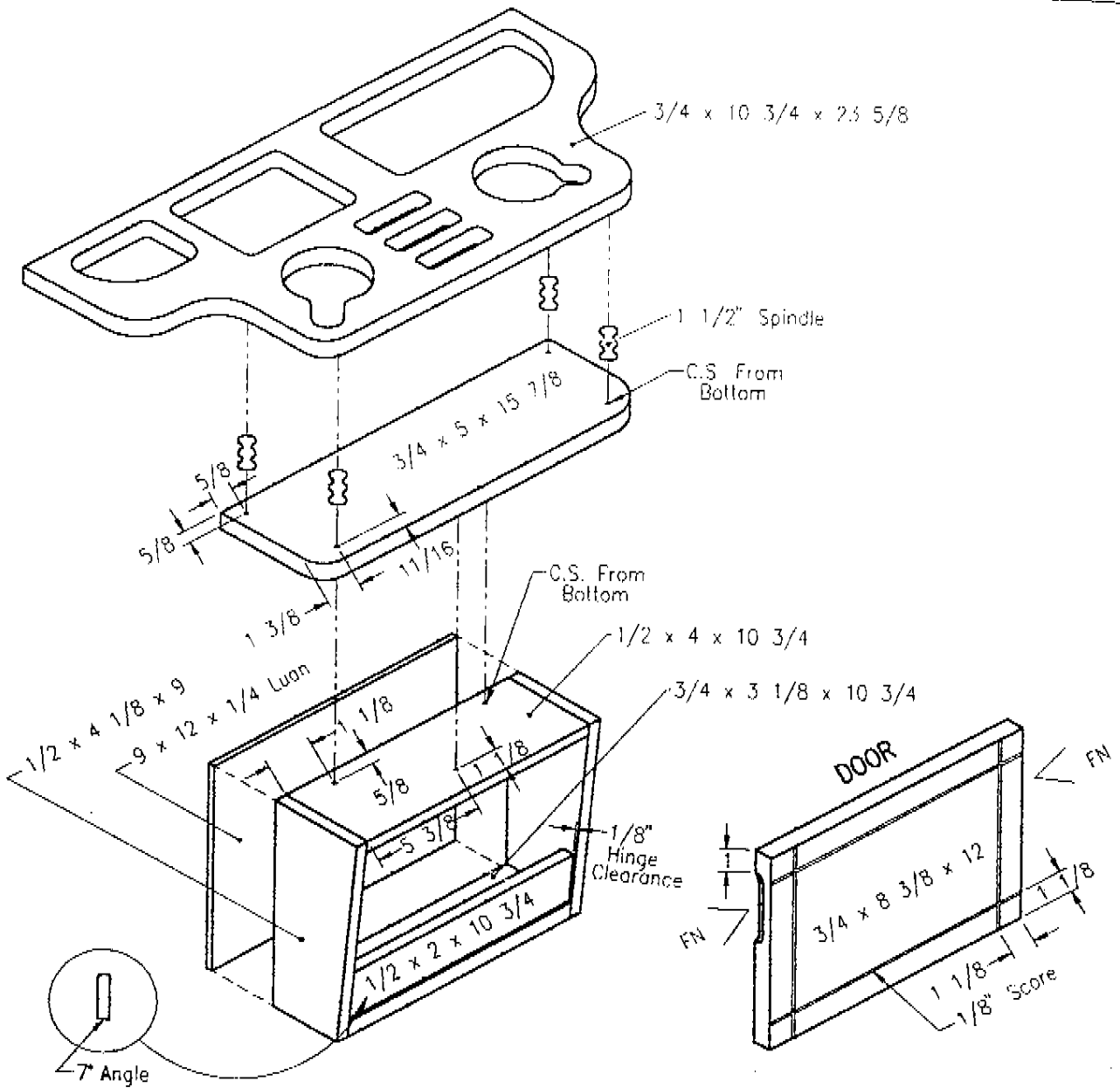
2175

'91 and prior Ford Tray with Compartment

DRAWING

DATE: 6/12/77

DRAWN BY: JK



QTY.

T x W x L

QTY.

MATERIAL LIST

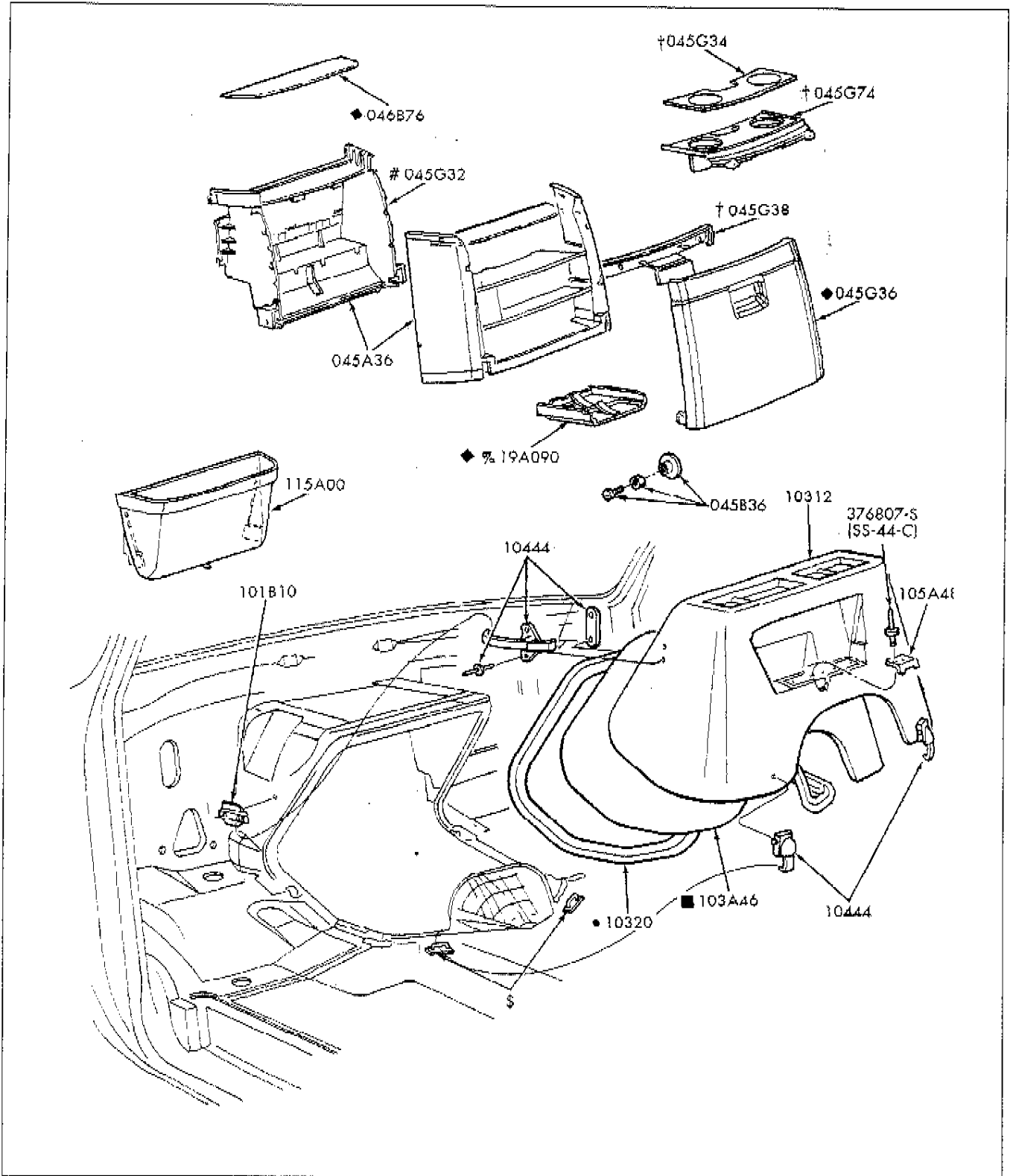
T x W x L

QTY.

T x W x L

QTY.	T x W x L	QTY.	MATERIAL LIST T x W x L	QTY.	T x W x L
1	3/4 x 10 3/4 x 23 5/8 Rout	1	3/4 x 8 3/8 x 12 w/ 1/8" Score	1	9 x 12 x 1/4 Luan
1	3/4 x 5 x 15 7/8	1	3/4 x 3 1/8 x 10 3/4 w/ 7° Rip		
4	1 1/2" Spindle	1	1/2 x 4 x 10 3/4 w/ 7° Rip		
		2	1/2 x 4 1/8 x 9		
		1	1/2 x 2 x 10 3/4		

1996 E150



97 FORD DRINK TRAY INSERT

COMPANY

PART NUMBER

DESCRIPTION

2107

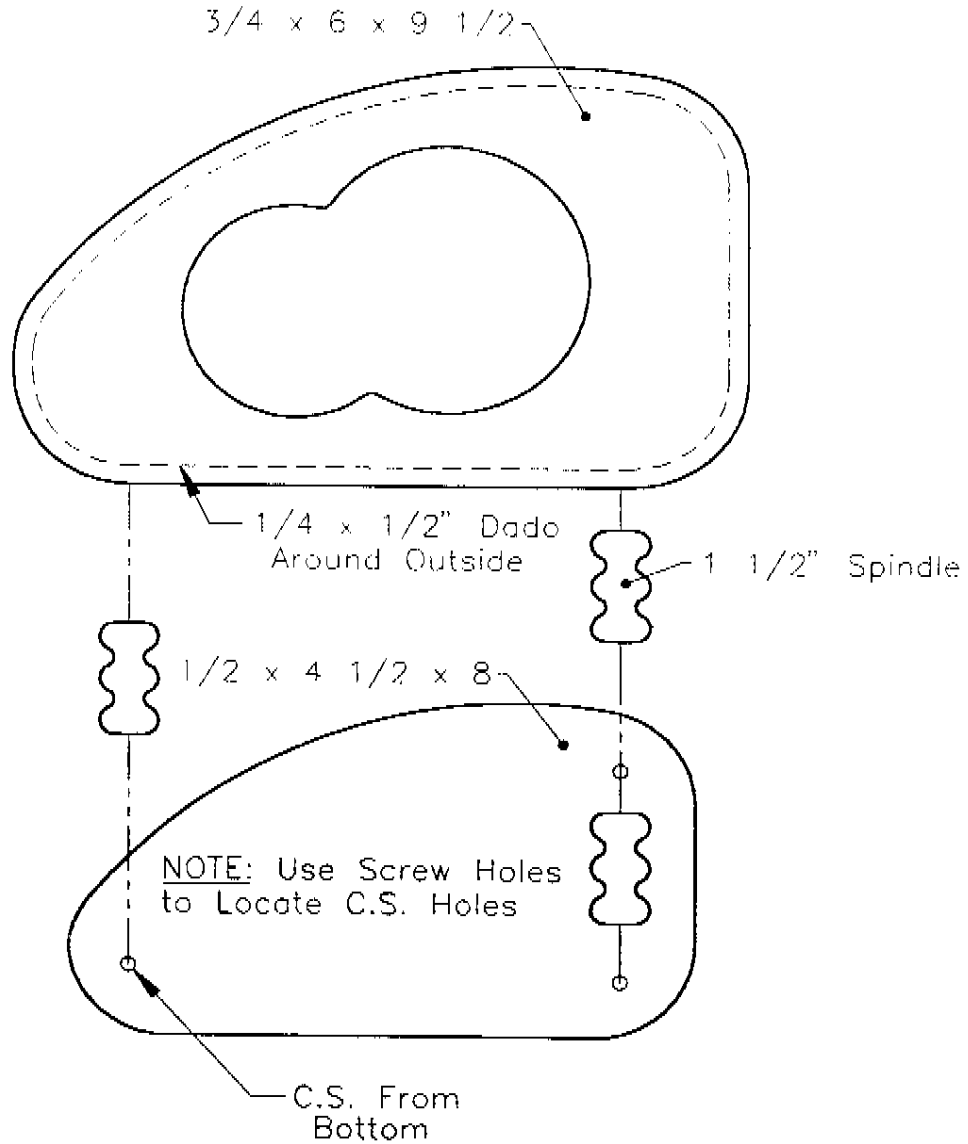
'97 Ford Tray Insert

DATE: 9/12/96

DRAWING

DRAWN BY:

JK



MATERIAL LIST

QTY.	T X W X L	QTY.	T X W X L	QTY.	T X W X L
1	3/4 x 6 x 9 1/2 Rout				
1	1/2 x 4 1/2 x 8 Rout				

97 FORD TRAY DELUXE II

COMPANY

PART NUMBER

DESCRIPTION

2178-2

'97 Ford Tray (Deluxe)

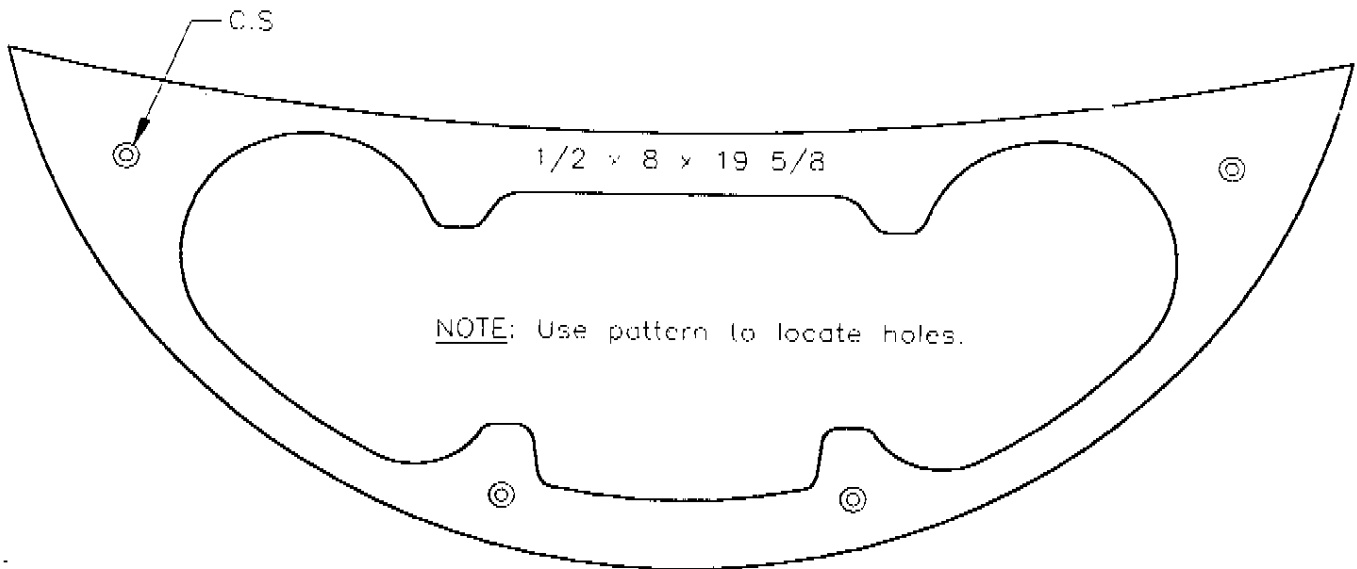
DATE:

7/30/97

DRAWING

DRAWN BY:

JK



MATERIAL LIST

QTY.	T X W X L	QTY.	T X W X L	QTY.	T X W X L
1	1/2 x 8 x 20				

97 FORD DELUXE TRAY

COMPANY

PART NUMBER

DESCRIPTION

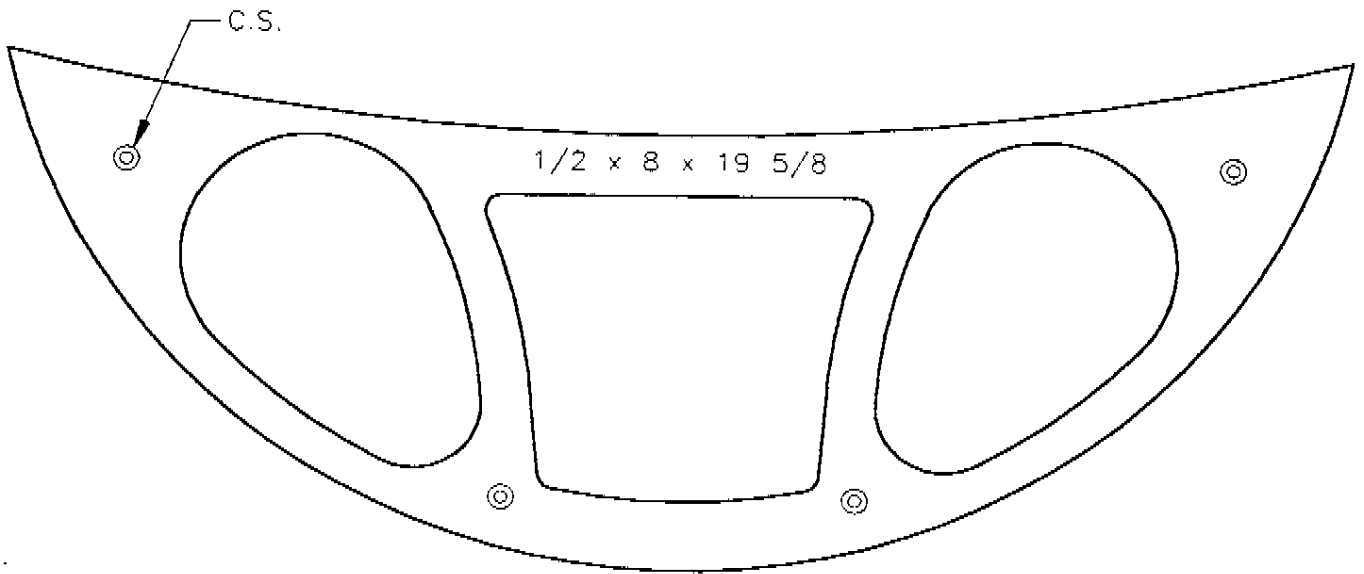
2178

197 Ford Tray (Deluxe)

DATE: 11/5/96

DRAWING

DRAWN BY: JK



NOTE: Use pattern to locate holes.

MATERIAL LIST

QTY.	TXWXL	QTY.	TXWXL	QTY.	TXWXL
1	1/2 x 8 x 20				

