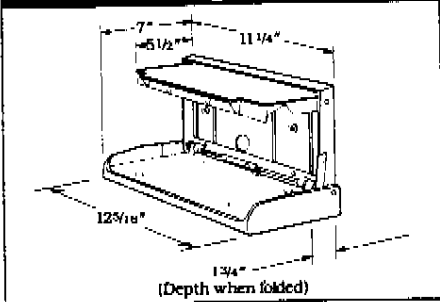


Fold-A-Way[®] Bumper Steps

Aluminum Specifications



strength aluminum, stainless steel spring and aluminum hinge pin.

Finishes

- Utility – Satin finish without black-etched front plate.
- Standard – Satin finish with black-etched front plate.
- Deluxe – Highly-buffed chrome-like finish with black-etched front plate.
- Custom – Highly-buffed chrome-like finish without black-etched front plate.

Load Limit

250 lbs.

Dimensions

7" high, 12⁵/₁₆" wide, 1³/₄" deep.

Weights

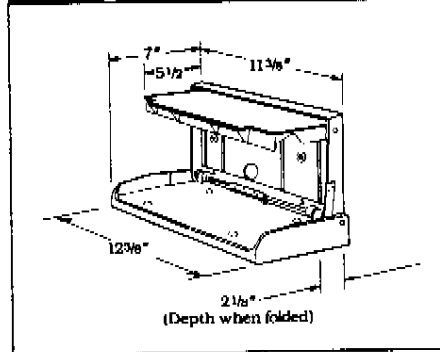
1-Step Units	5.5 lbs.
Master Cartons*	35 lbs.
2-Step Units	6.8 lbs.
Master Cartons*	41 lbs.

Construction

Rust and corrosion resistant, each aluminum Fold-A-Way Bumper Step is constructed of high tensile

* Master Cartons contain 6 Fold-A-Way Bumper Steps, individually boxed with mounting hardware and instructions.

Fiberglass Filled Nylon Specifications



Construction

Rust and corrosion resistant, each nylon Fold-A-Way Bumper Step is constructed of fiberglass reinforced nylon, stainless steel spring and aluminum hinge pin.

Finish

Black Matte

Load Limit

250 lbs.

Dimensions

7" high, 12³/₈" wide, 2¹/₈" deep.

Weights

Plain Box	4.04 lbs.
Master Carton*	24.25 lbs.
Display Package	3.71 lbs.
Master Carton*	22.25 lbs.

* Master Cartons contain 6 Fold-A-Way Bumper Steps, individually boxed with mounting hardware and instructions.

Display Stand



The Fold-A-Way Bumper Step Display Stand lets you display and demonstrate one aluminum or nylon bumper step on your shelf or counter.

Our nylon bumper step is also available in a full-color display package at no extra charge.

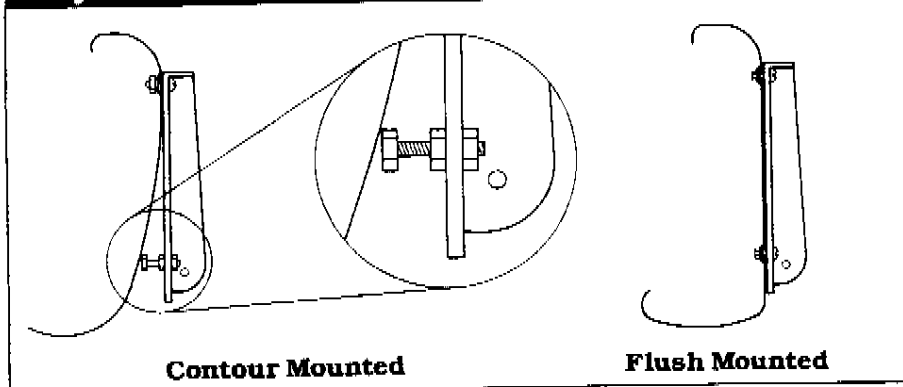
Dimensions

8" high, 10" wide, 7¹/₄" deep.

Weight

4 lbs.

Easy Installation



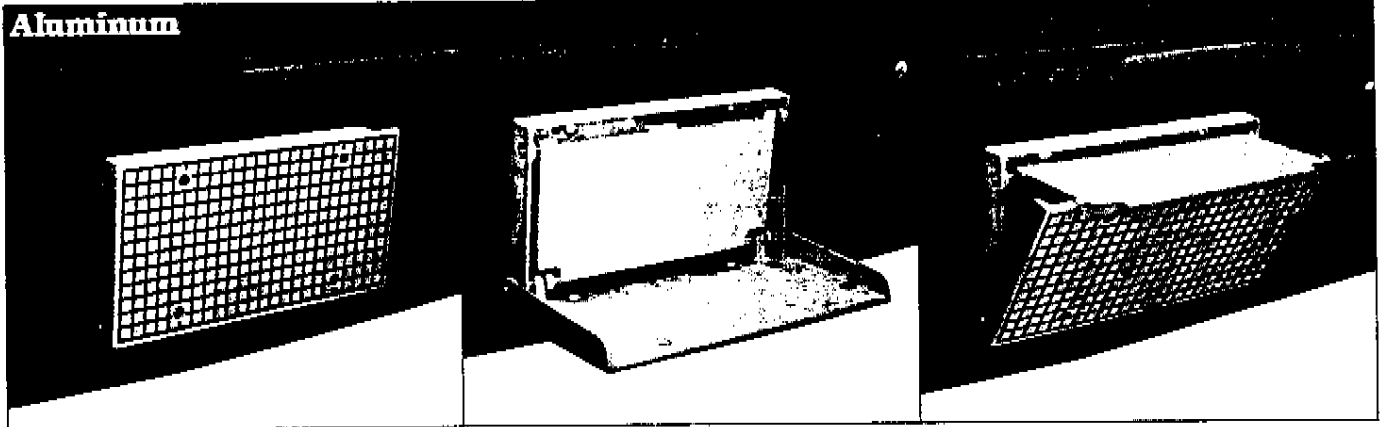
Each Fold-A-Way Bumper Step includes complete mounting hardware and instructions for fast installation to most vehicle bumpers.

Fold-A-Way Bumper Steps mount solidly to flat bumpers. For contour mounting, use the adjusting screw method. If your bumper does not permit using either mounting method, contact Fold-A-Way Corporation. We have adapters available to fit virtually all bumper contours.

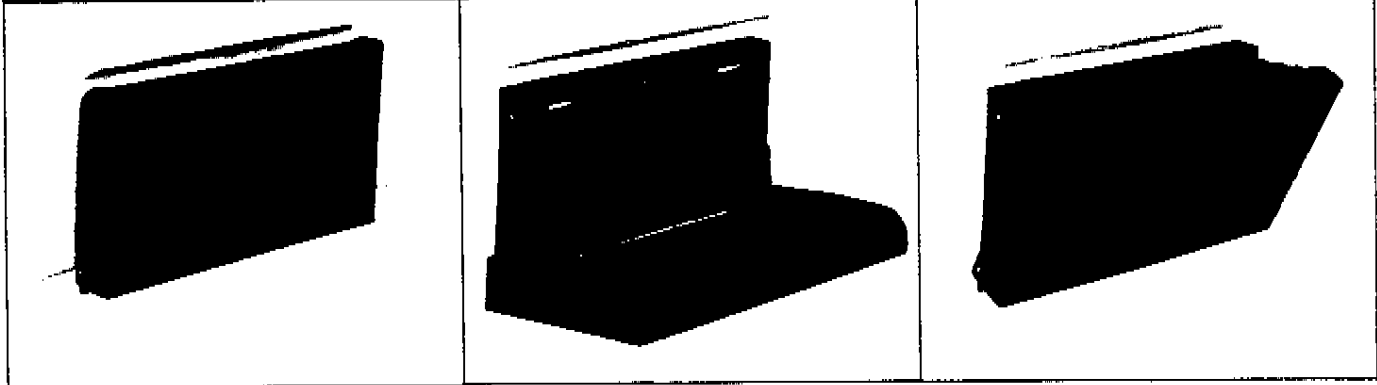
EAST COAST AUTOMOTIVE TOYS INC.

FOLD-A-WAY BUMPER STEPS

Aluminum



Fiberglass Filled Nylon



They Make Some Tough Jobs A Lot Easier



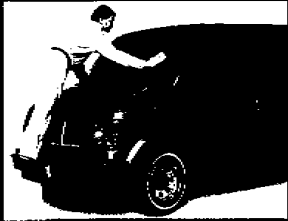
Safety and Convenience

The Fold-A-Way Bumper Step provides a safe, convenient step for accessing windshields or engine compartments. It installs in minutes to the bumper of a vehicle, in the space provided for a license plate. The license plate can be attached to the front of the bumper step using mounting holes provided.

Highest Quality in Two Styles

The Fold-A-Way Bumper Step is available in high strength aluminum or space-age fiberglass filled nylon. Both are manufactured to exacting standards, completely guaranteed for 30 days and warranted for one full year.

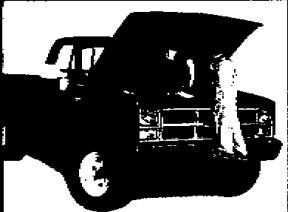
It's perfect for:



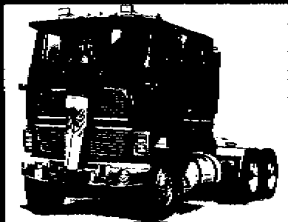
• Vans



• Motor Homes



• 4 x 4's
• Pick-ups



• Semis



• School Buses

Guarantee and Warranty

Fold-A-Way Bumper Steps are unconditionally guaranteed for 30 days from date of purchase and carry an additional one year limited warranty. The limited warranty is packaged with every step.

Fold·a·way
BUMPER STEPS

Made in
U.S.A.



Fold·a·way
BUMPER STEPS

EAST COAST AUTOMOTIVE TOYS
910 WEST JERICO TPKE
SMITHTOWN, NEW YORK 11787
631-864-0035
FAX 631-864-8087
EASTCOASTAUTOTOYS@MSN.COM



© 1988 Fold-A-Way Corporation Printed in U.S.A.

**Easy access to windshields
and engine compartments:**

- Vans
- 18-wheelers
- Motor Homes
- 4 x 4's
- Pick-ups
- School Buses